

FIG. 3

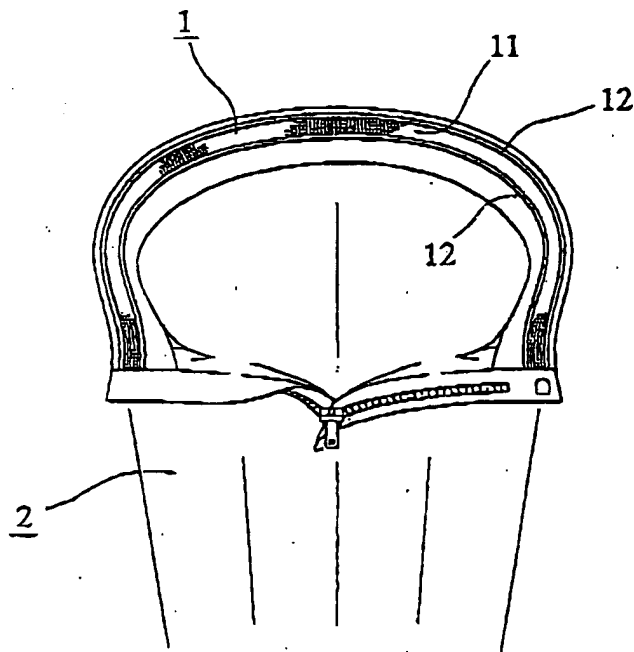


FIG. 4

Vertical text on the left margin, likely a scanning artifact or reference code.

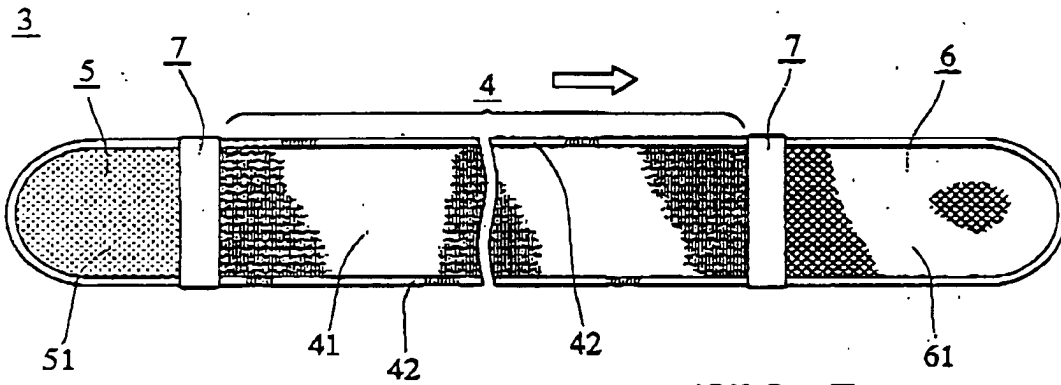


FIG. 5

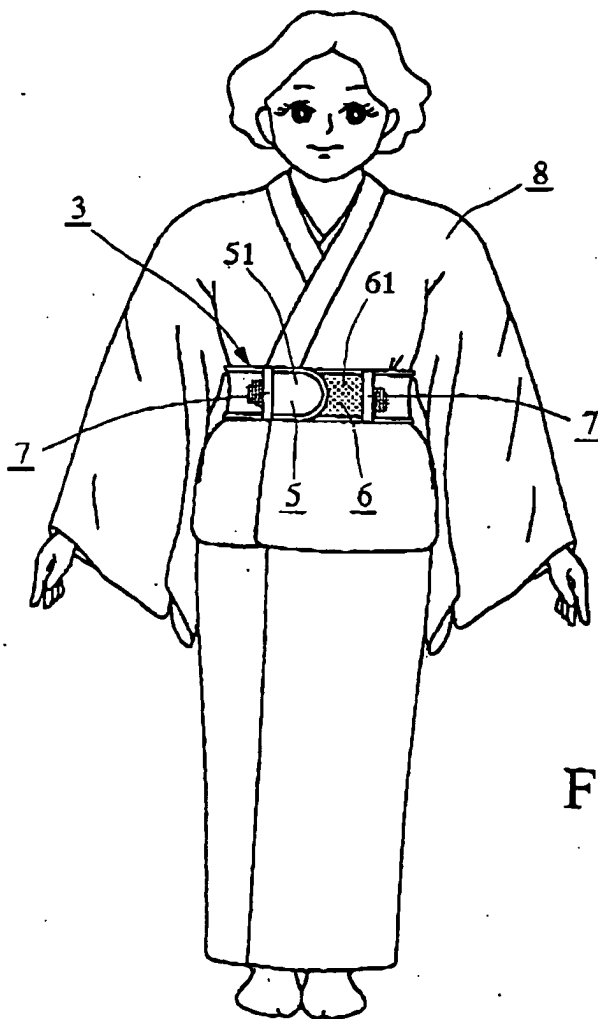


FIG. 6

Vertical text on the left margin, likely a page number or reference code.